

PRODUCT CODE: MP524
CHANNEL CANTILEVER ARM

DESCRIPTION

600mm Channel Cantilever Arm - 2 hole base plate

FINISH

Hot Dipped Galvanised

MATERIAL

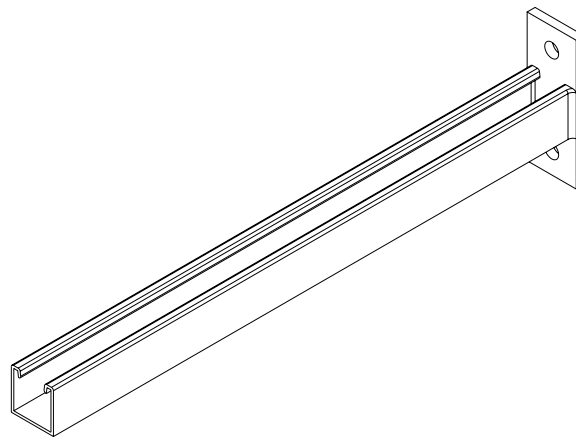
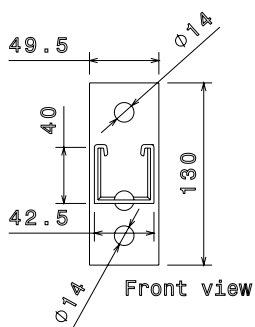
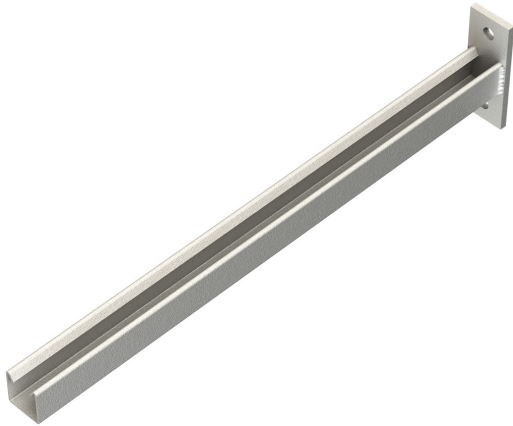
Steel

PACKAGING

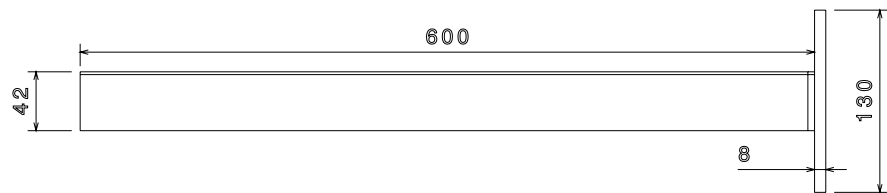
Supplied individually

ADDITIONAL NOTES

Compliant to LU Standard 1-085 (for use on surface & sub-surface locations)



Isometric view



Side view